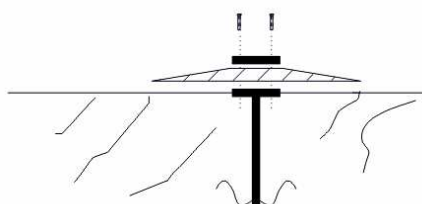
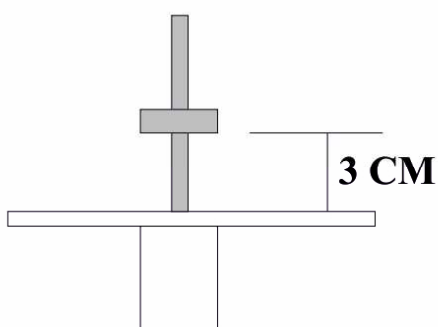
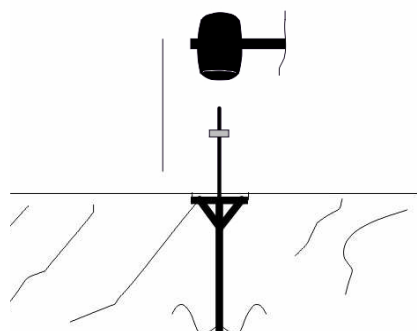
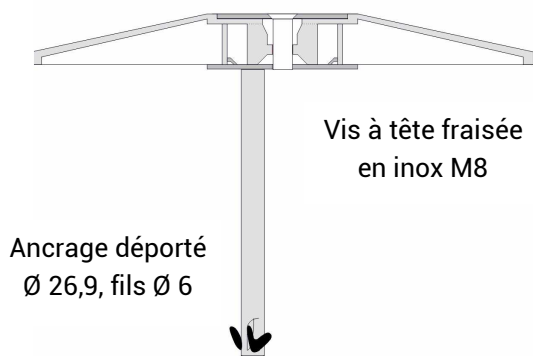




TERMINALS & NETWORK MARKERS

MARKERS USED WITH OFFSET ANCHORAGE



INSTALLATION INSTRUCTIONS OR TERMINAL PLATE ON STABILITY ANCHORAGE DEPORTE

Tools for installation:



Punch « A »



Locking Bolt
Punch for tine deploy-

STEP 1:

Position the driving Punch "A" in the anchor tube and drive it in with a sledgehammer. Ensure that the anchoring support plate is depressible 3 to 4 cm below the surface level of the soil.

STEP 2:

After removing the Punch "A" position the locking bolt "B" in the tube which will deploy the tines for anchoring the device.

The amount of tine deployment will depend on the nature of the soil. For example:

In hard ground- extend the tines from 1 to 4 cm;

Medium/hard ground- the tines should be half out or 12 cm on each side of the anchor;

In soft ground- the tines will be fully extended 25 cm on each side of the anchor. With this type of ground, drive the Punch within 3cm of the plate.

STEP 3:

To secure the PE plate H. D. to the anchor.

- Position the plate
- Then the bracket
- Screw the assembly with screws M8



INSTALLATION INSTRUCTIONS FOR THREADED ROD ON OFFSET ANCHOR

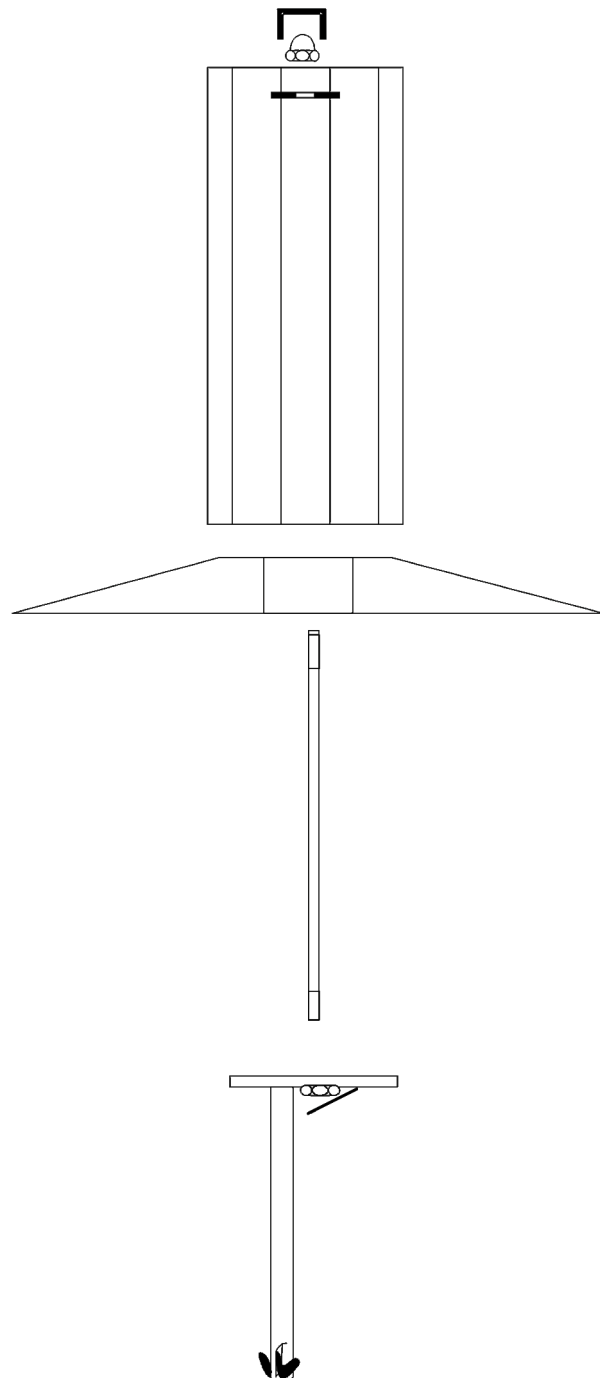
Tools for installation :



Punch « A »



Tine Lock Punch
« B »



STEP 1 and 2:

- 1 - Screw the acorn nut on the threaded rod after assembling the parts
- 2 - Cover the nut with the cap supplied

STEP 3:

Thread the stability plate and the marker on the threaded rod

STEP 4:

Screw the threaded rod to the offset anchor plate

STEP 5:

Drive the anchor into the ground, then punch out the tines with the driving chuck (as previously illustrated)



REF : R 20001 & 20002

SOGEROCK SQUARE (assembly) CP 7000

Marker assembly consisting of: a headstone; a plate for stability; an offset anchor; and a threaded shank for attaching the head to the plate.

Marker headstone:
Polyester/sand
Height 700 mm
Version: 1 pan or 2 canted

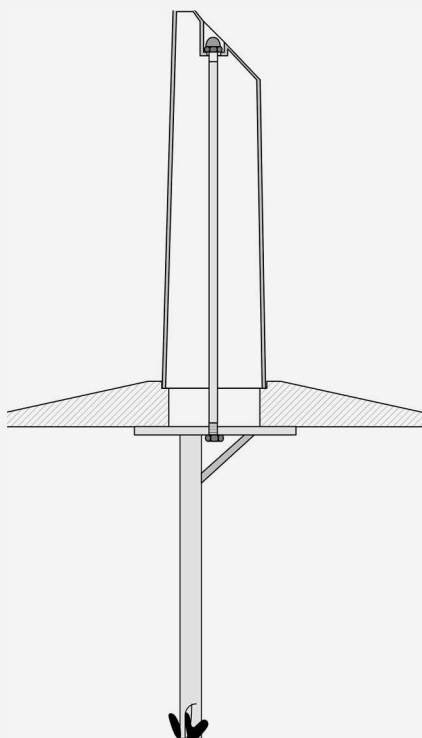
Stability Plate:
In PE HD
Dimensions: 400 * 400 * 40 mm

Anchor:
Ø 26.9 mm reinforced offset.
Length 500 mm
Hot Galvanized

Marker / plate attachment:
M14 galvanized threaded rod
Cap nut

Optional: customized nameplate

 color:





REF : R 20009, 20012 & 20017

SOGEROCK TRIANGULAR MARKER TP

Marker consisting of a durable, coloured 'Rock', a plate for stability, an offset anchor and a threaded shank for fixing the rock to the plate.

Rock:
Polyester/sand
Height 200, 500 or 700 mm

Stability Plate:
PE HD
Dimensions: 400 * 400 * 40 mm

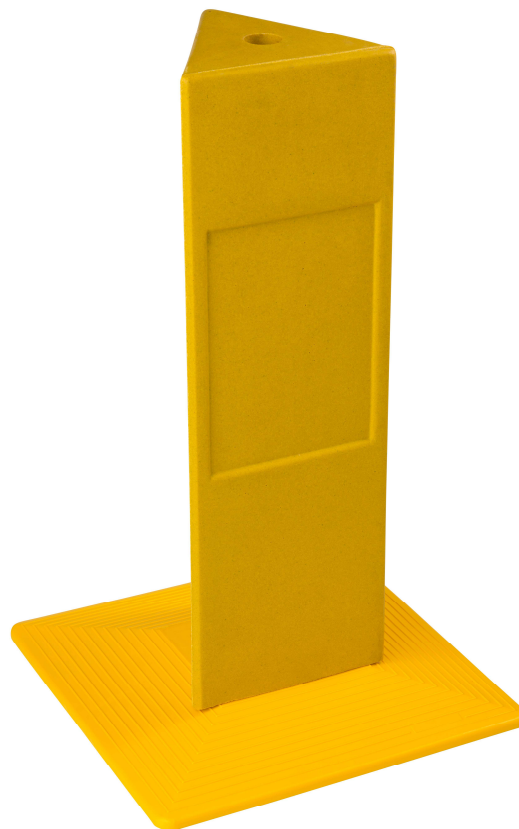
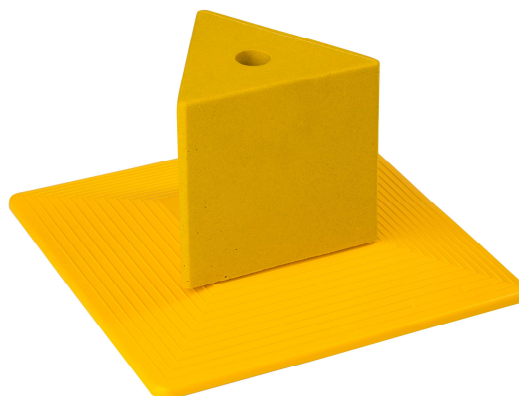
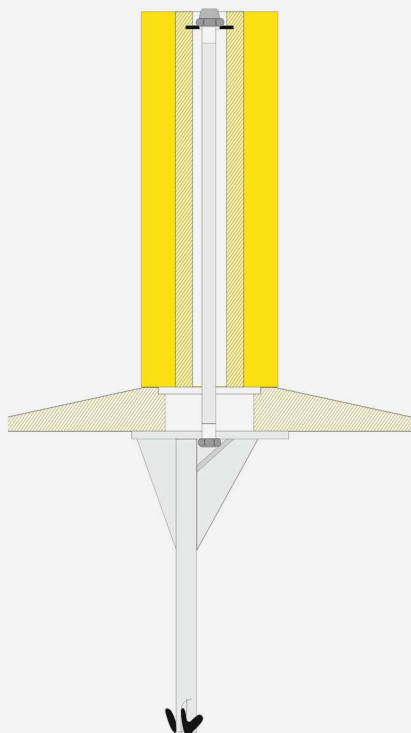
Anchoring:
Ø 26.9 mm reinforced offset anchor.
Length 500 mm
Hot Galvanized

Marker / plate attachment:
M14 galvanized threaded rod
Cap nut

Option: customized nameplate



Colour :





REF : R 20028, 20029, 20035 & 20036
SOGEROCK P 50-500F & 30-500F

Marker consisting of a square coloured Rock, a plate for stability, an offset anchor and a threaded shank for screwing the Rock to the plate.

Rock:
 Polyester concrete
 P50 Dimensions: 130 * 130 * 500 mm
 P30 Dimensions: 130 * 130 * 300 mm

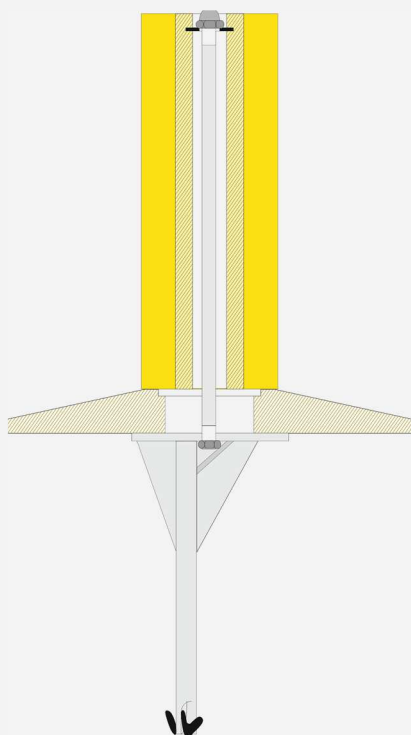
Stability Plate:
 PE HD
 Dimensions: 400 * 400 * 40 mm

Anchoring:
 Offset Ø 26.9 mm.
 Length 500 mm
 Hot Galvanized

Marker / plate attachment:
 M14 galvanized threaded rod
 Cap nut

Option: customized nameplate


 color:





REF : R 20018 à 20023

NETWORK MARKER ASSEMBLY 400 P

Assembly specification:

Stability Plate:

Plate PE HD

Dimensions: 400 * 400 * 40 mm

Anchoring:

Offset Ø 26.9 mm with lugs

Length 500 mm

Hot Galvanized

Option: customized nameplate



REF : R 20046 & 20050

SOGEROCK - NETWORK MARKER 300 H & 300 PH

Marker specification:

Rock:

PE HD 2 sides

Dimensions: 120 * 120 * 300 mm

Anchoring:

Ø 26.9 mm M12 offset,

Length 500 mm

Hot galvanized

Marker / plate attachment:

M12 galvanized threaded rod

Cap nut

options:

Personalized nameplate

PE stability plate HD 400 * 400 * 40 mm

colour:





REF : R 20048 & 20052

**SOGEROCK NETWORK MARKER
500 H & 500 PH**

Headstone specifications:

Headstone:

PE HD 2 sides

Dimensions: 145 * 145 * 500 mm

Anchoring:

Ø 26.9 mm M12 offset,

Length 500 mm

Hot galvanized

Marker / plate attachment:

M12 galvanized threaded rod

Cap nut

options:

Personalized nameplate

PE stability plate HD 400 * 400 * 40 mm

colour:





TERMINALS & NETWORKS MARKERS

**MARKERS OF POLYESTER/SAND WITH
CENTER FIX ANCHORS**

Network markers





REF : R 20031 & 20038

SOGEROCK 13-600 T & P13-600 T

Marker assembly consisting of a head, a plate for stability, a BTF anchor, a non-return clip and a plug.

Rock:

Polyester/Sand

Dimensions: 130 * 130 * 130 mm

Yellow cap Ø 26 mm

Anchor

BTF Ø 26.9 mm.

Length 600 mm

Hot galvanized

A Telluclip is embedded in the marker

Options:

Personalized nameplate

Stability Plate:

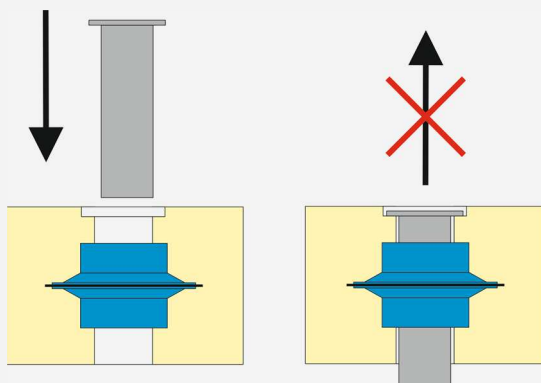
PE HD

Dimensions: 400 * 400 * 40 mm

colour:



The Telluclip non return system :





REF : R 20031 & 20038

SOGEROCK 30-800 T & P30-800 T

Marker assembly consisting of a Rock, a plate for stability, a BTF anchor, a non-return clip and a plug.

Rock:

Polyester/sand

Dimensions: 130 * 130 * 300 mm

Yellow cap sealing Ø 26 mm

Anchor:

BTF Ø 26.9 mm.

Length 800 mm

Hot galvanized

A Telluclip is embedded in the marker

Options:

Personalized nameplate

Stability Plate:

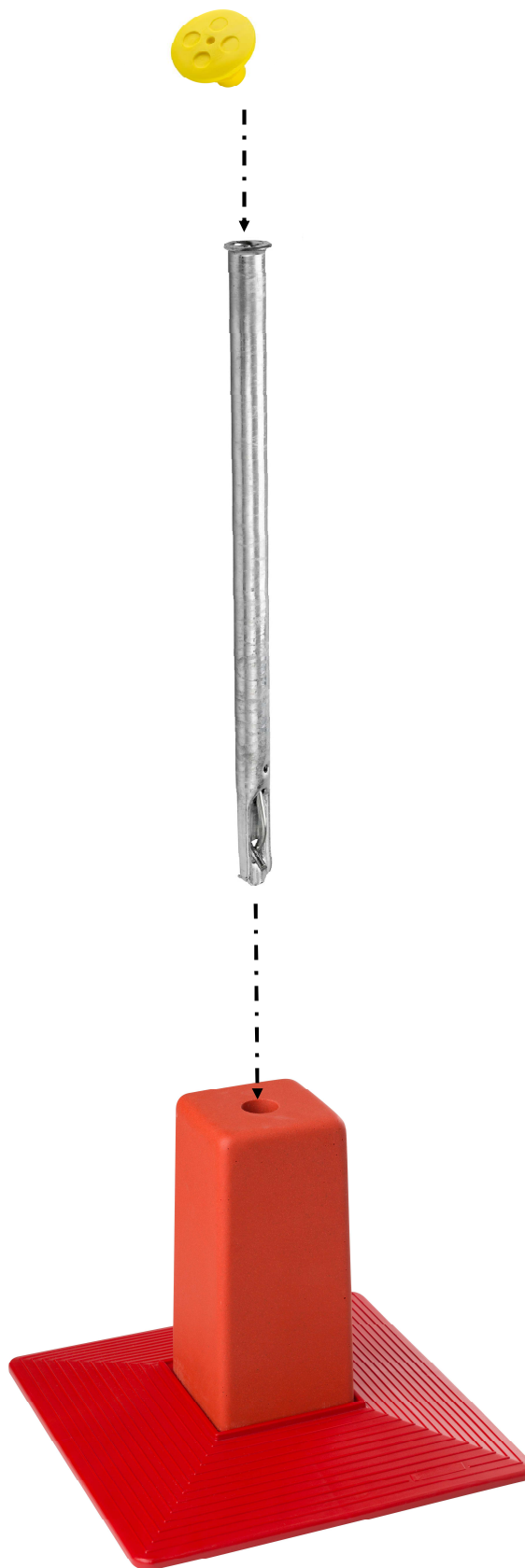
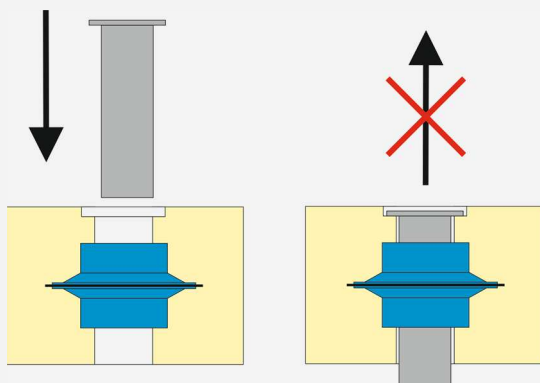
PE HD

Dimensions: 400 * 400 * 40 mm

colour:



The Telluclip non- return system :





REF : R 20041

SOGEROCK 9-500

Marker consisting of a Polyester/sand Rock
size: 170 * 170 * 90 mm

Anchor:

BTF Ø 26.9 mm.

Length 500 mm

Galvanized

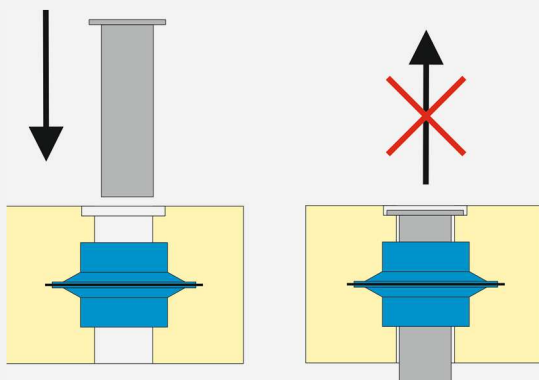
A check Telluclip clip embedded in the terminal

Option: customized nameplate

Colour



The Telluclip non-return system :





TERMINALS and NETWORK MARKERS

3. WALL PLATE POLYESTER/SAND WITH CHIP RFID



REF : R 20054 à 20056
SOGEVILLE P 500

A Marker consisting of a polyester/sand tile of 500 * 170 * 40.5 mm

Option: customized nameplate

colour:



REF : R 200261 à 20063
SOGEVILLE WALL PLAQUE

Wall plaque polyester/sand
Dimensions 240.5 * 200 * 20.5 mm

Option: Custom plate 120 * 90 mm

colour:





TERMINALS and NETWORKS MARKERS

4. LONG RANGE MARKERS



REF : R 10001 à 10030

SOGEHI-VIS – AERIAL MARKER IN TWO PARTS

Aerial marker assembly in 2 parts comprising:

mast \varnothing 42.4 mm, height 1.50 m or 2 m

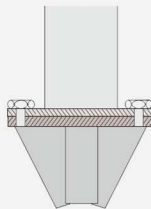
\varnothing 33.7 mm anchor with reinforced gussets 4, length 500 mm

a painted metal cap dimensions 600x400 mm or 400x400 mm spacer

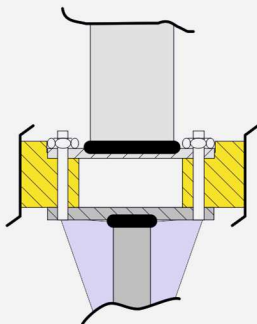
All galvanized hardware,

Options: Stability plate HDPE 400 * 400 * 40 mm, Breakthrough 4 M8 holes, Nameplate sticker, cap PE

 Colour of the cap and plate:



Attachment on the mast and anchor system: 4 stainless steel screws M8 * 16



Fastening system of the mast on the stabilizing plate: 4 stainless steel screws M8



Network markers



REF : R 10031 & SUIVANTS
**SOGE HI-VIS - AERIAL MARKER
 MONOBLOC**

Aerial marker assembly Type BAM comprising:
 Ø 42.4 mm mast with cup and barbed spear tip

Height 1.50 m or 2 m above ground
 A metal cap dimensions 600x400 mm
 or 400x400 mm spacer
 All galvanized hardware,

Options: nameplate,
 sticker
 Cap PE

Cap colours:



Anchoring system:

